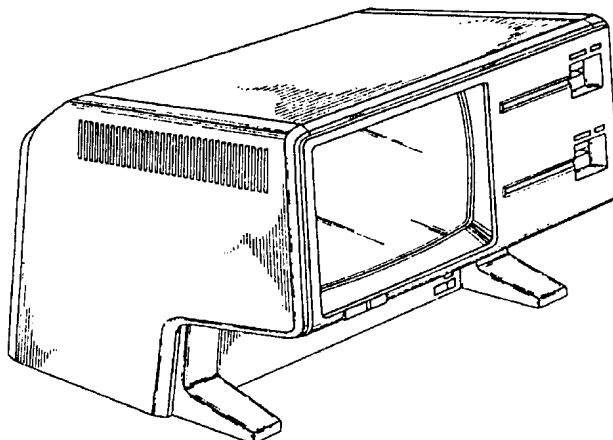


Illustrated Parts List



Source

Lisa Level I Technical Procedures
Illustrated Parts List
October 1988
Apple Computer, Inc.



LISA/MACINTOSH XL ILLUSTRATED PARTS LISTS

TABLE OF CONTENTS

Section 1. Lisa 1.0 Illustrated Parts List

Chassis 3.....1.1
 Top Assembly.....1.3
 Video Assembly.....1.5
 Chassis 1.....1.7
 Disk Drive Assembly.....1.9
 Card Cage.....1.11
 CPU Board.....1.13
 I/O Board.....1.15

Section 2. Lisa 2 Illustrated Parts List

Front Bezel.....2.1
 Top Assembly.....2.3
 Chassis 4.....2.5
 Video Assembly.....2.7
 Chassis 2.....2.9
 Chassis 1.....2.11
 Disk Drive Assembly.....2.13
 Card Cage.....2.15
 CPU Board.....2.17
 I/O Board.....2.19

Section 3. Macintosh XL Illustrated Parts List

Front Bezel.....3.1
 Top Assembly.....3.3
 Chassis 4.....3.5
 Video Assembly.....3.7
 Chassis 2.....3.9
 Chassis 1.....3.11
 Disk Drive Assembly.....3.13
 Card Cage.....3.15
 CPU Board.....3.17
 I/O Board.....3.19

end 3.22



Lisa 1.0 Technical Procedures

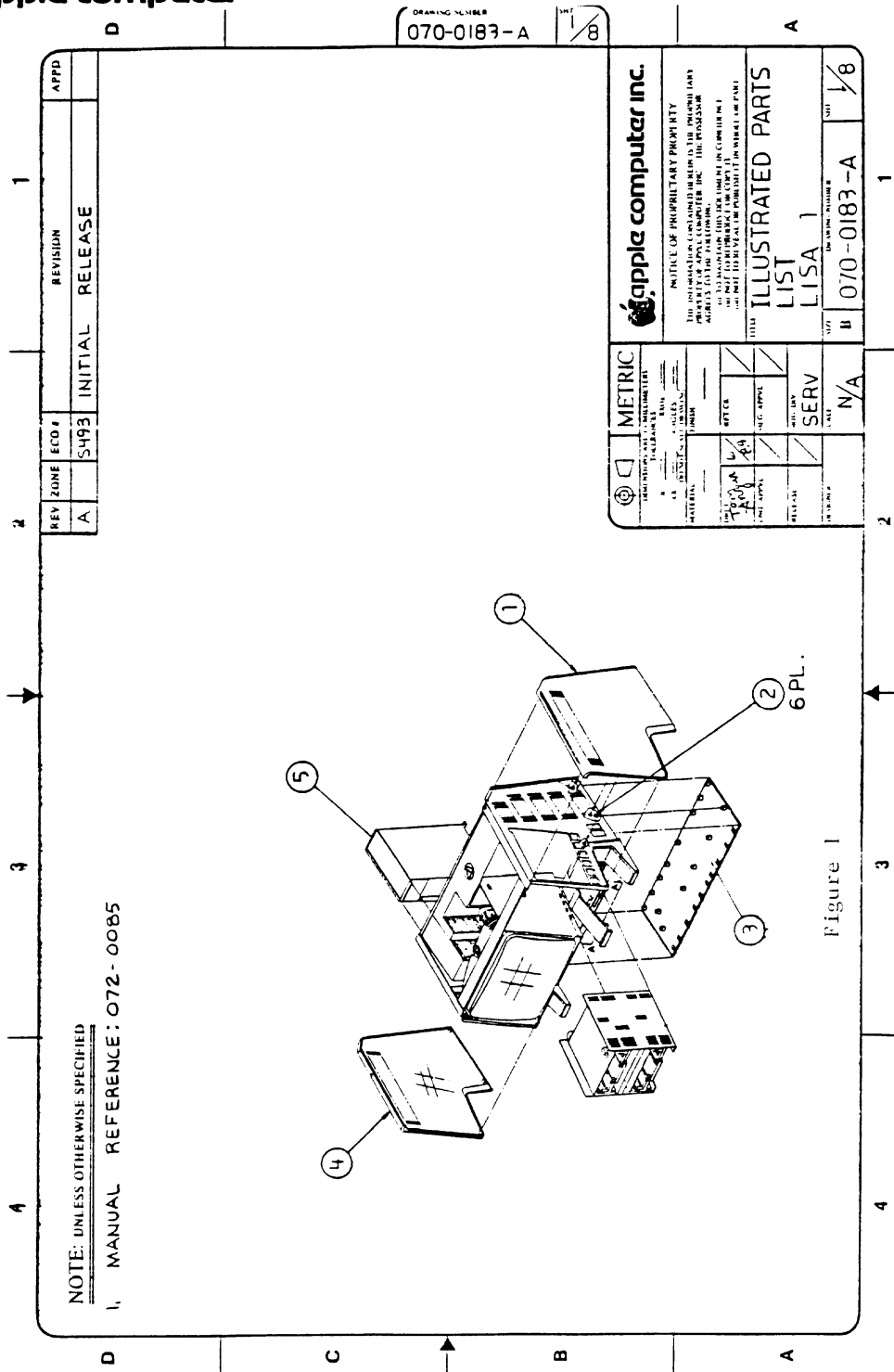
Section 1

Illustrated Parts List

The figures and lists below include all piece parts that can be purchased separately from Apple for the Lisa 1.0, along with their part numbers. These are the only parts available from Apple. Refer to your Apple Service Programs manual for prices.

Contents:

Chassis 3.....	1.1
Top Assembly.....	1.3
Video Assembly.....	1.5
Chassis 1.....	1.7
Disk Drive Assembly.....	1.9
Card Cage.....	1.11
CPU Board.....	1.13
I/O Board.....	1.15

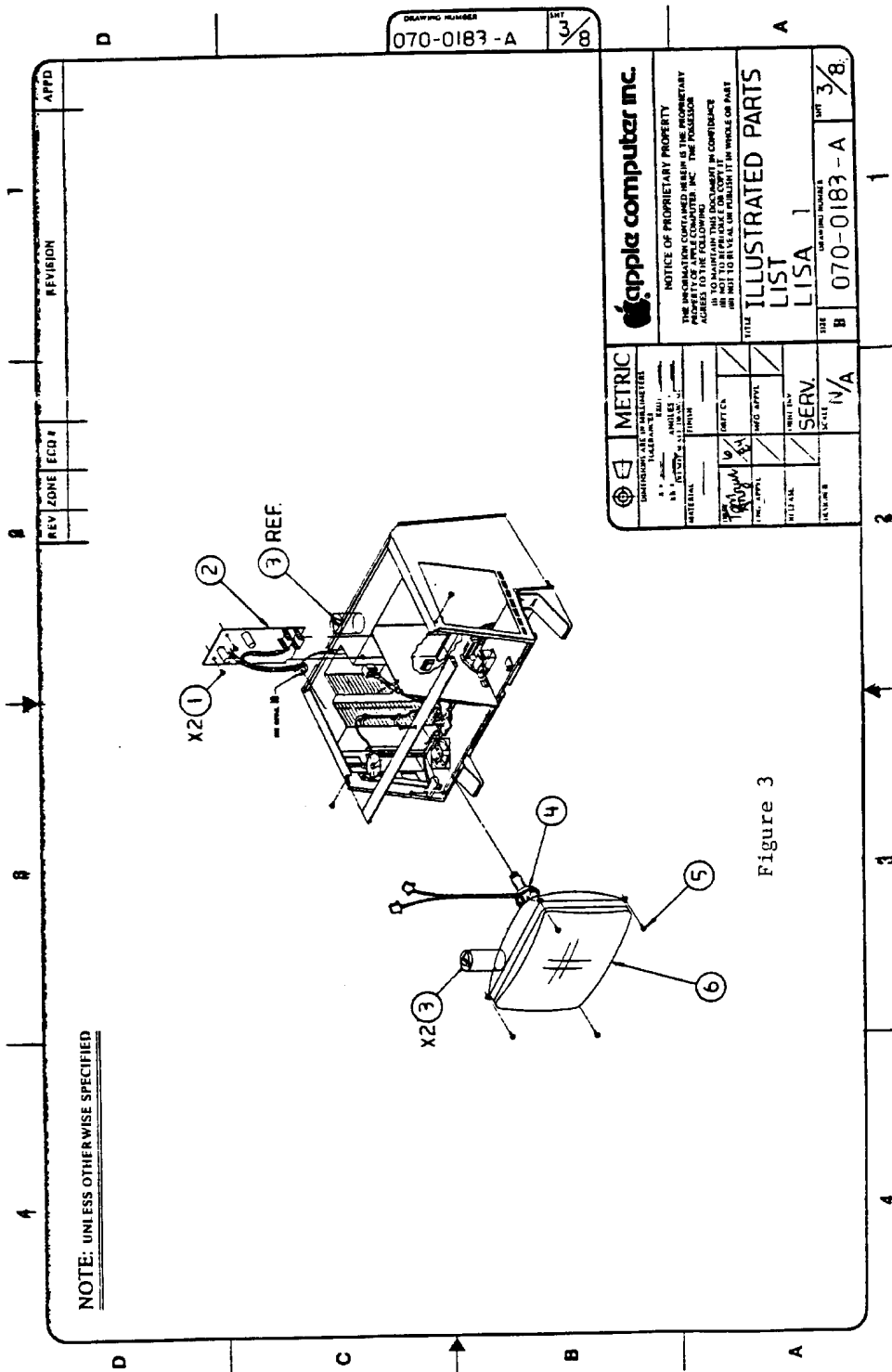


**LISA 1.0 CHASSIS 3 (Figure 1)**

Item	Part No.	Description
1	815-4073	Right Side Plastic
2	430-3001	Bottom Pan Screw, Tap 6-20x0.375
3	815-4090	Bottom Pan
4	815-4074	Left Side Plastic
5	661-93108	Lisa 1.0/2.0 Power Supply

**LISA 1.0 TOP ASSEMBLY (Figure 2)**

Item	Part No.	Description
1	815-4075	Top Cover Plastic
2	620-5105	Subassembly, Back
3	830-0051	Fastener, 1/4 Turn
4	076-0104	Lisa/Macintosh XL Soft Switch Assembly
5	620-5127	Lisa 1.0 Bezel Subassembly
6	620-6112	Glare Screen Assembly
7	661-93111	Lisa Mouse
8	661-93109	Lisa/Macintosh XL Keyboard
9	699-8001	Rubber Coated Mouse Ball



**LISA 1.0 VIDEO ASSEMBLY (Figure 3)**

Item	Part No.	Description
1	400-1603	Video Board Screw, 6-32x3/16
2	661-93107	Lisa/Macintosh XL Video Board
3	825-4002	Label, Danger
4	159-0015	Magnet, Yoke Trim
	159-0020	Magnet, Yoke, Yellow
	159-0021	Magnet, Yoke, Red
	159-0022	Magnet, Yoke, Green
	159-0023	Magnet, Yoke, Blue
5	450-0020	Serrated Washer CRT 8-32x0.375
6	076-0105	Lisa/Macintosh XL CRT Yoke Assembly



DRAWING NUMBER 070-0183-A SHEET 4/8

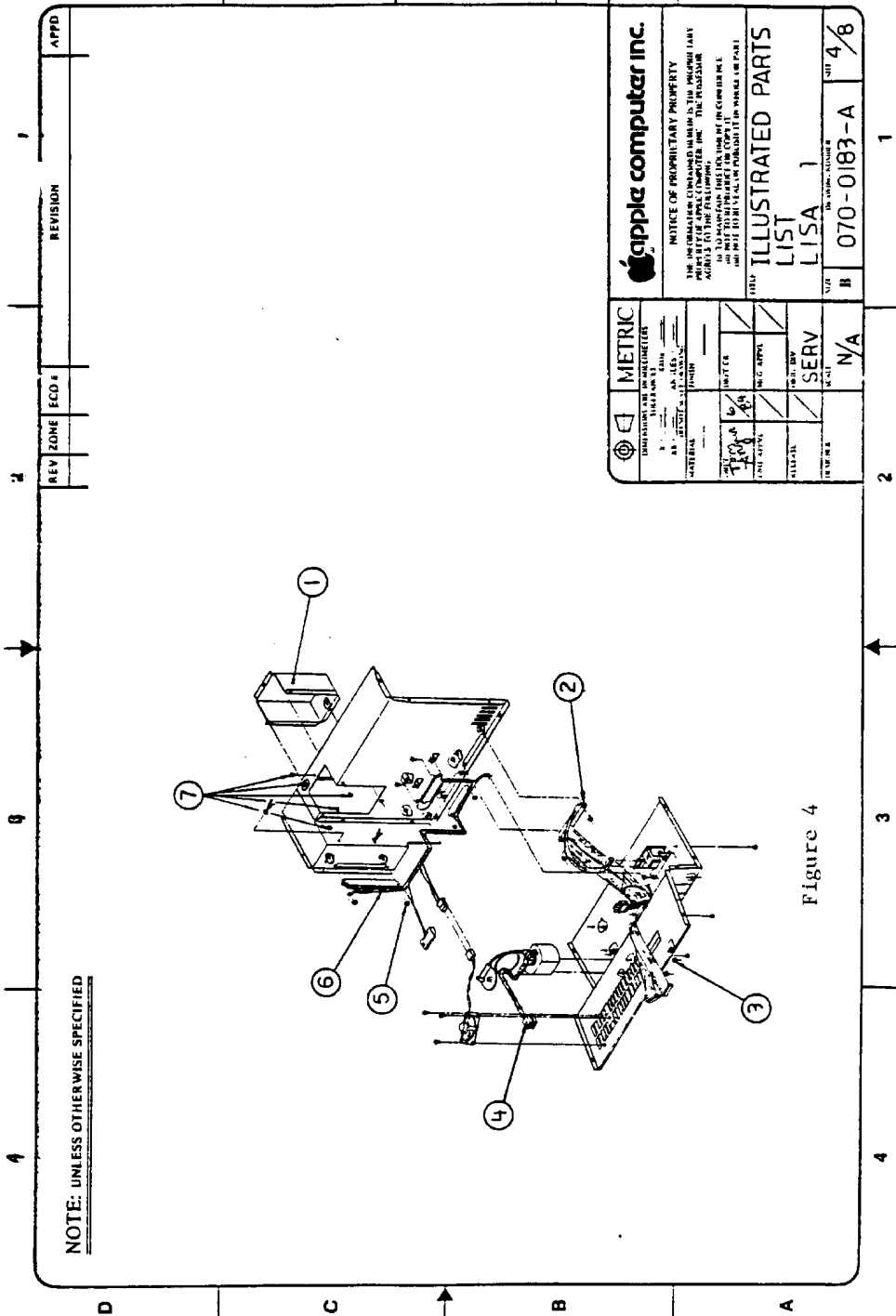
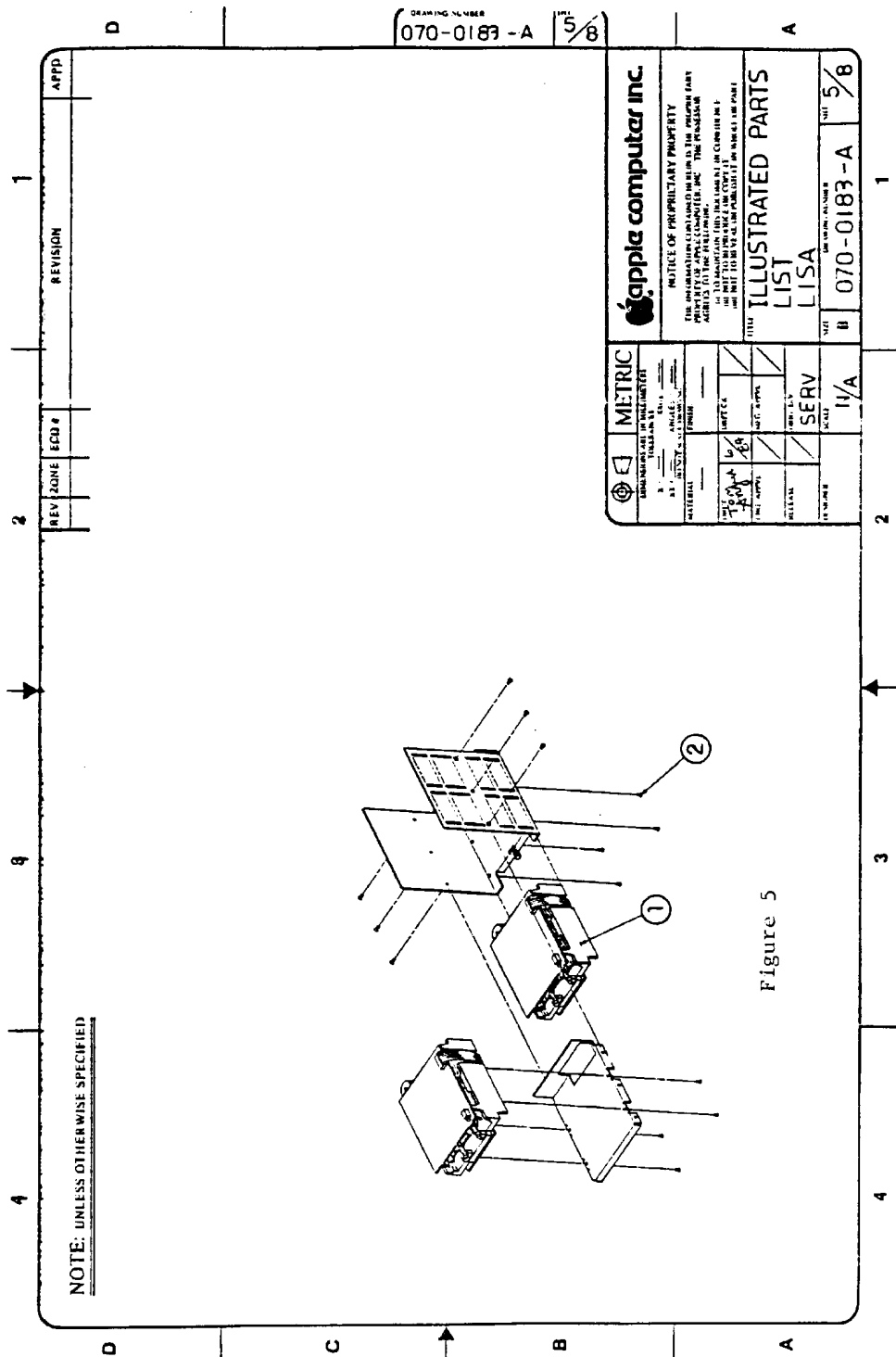


Figure 4

NOTICE OF PROPRIETARY PRIVILEGE THE INFORMATION CONTAINED HEREIN IS THE PROPRIETARY PROPERTY OF APPLE COMPUTER, INC. THE INFORMATION CONTAINED HEREIN IS TO BE USED ONLY FOR THE PURPOSES SPECIFIED AND IS NOT TO BE DISCLOSED OR REPRODUCED IN ANY MANNER WITHOUT THE WRITTEN PERMISSION OF APPLE COMPUTER, INC.	
ILLUSTRATED PARTS LIST LISA 1	
DRAWING NUMBER 070-0183-A	SHEET 4/8
METRIC DIMENSIONS IN MILLIMETERS DRAWING IN INCHES DRAWING IN MILLIMETERS	IMPRINT DATE APPROVED DESIGNED CHECKED DRAWN MATERIALS IN STOCK
UNIT N/A	PART NUMBER 070-0183-A

**LISA 1.0 CHASSIS 1 (Figure 4)**

Item	Part No.	Description
1	805-4008	CRT Cup
2	591-0002	Cable Assembly, Disk Drive, Lisa 1.0/2.0
3	835-0181	Nut/Washer Assy, M3 0.5, Lisa/Macintosh XL Flyback
4	076-0106	Lisa/Macintosh XL Flyback Transformer
5	835-0150	Nut/Washer Assy, Card Cage Chamber
6	591-0003	Cable Assembly, Power, Lisa 1.0
7	400-1603	Video Board Screw, 6-32x3/16



NOTE: UNLESS OTHERWISE SPECIFIED

LISA 1.0 DISK DRIVE ASSEMBLY (Figure 5)

Item	Part No.	Description
1	661-93110	Lisa 1.0 Drive Module
2	400-3604	Disk Drive Screw, 6-32x1/4



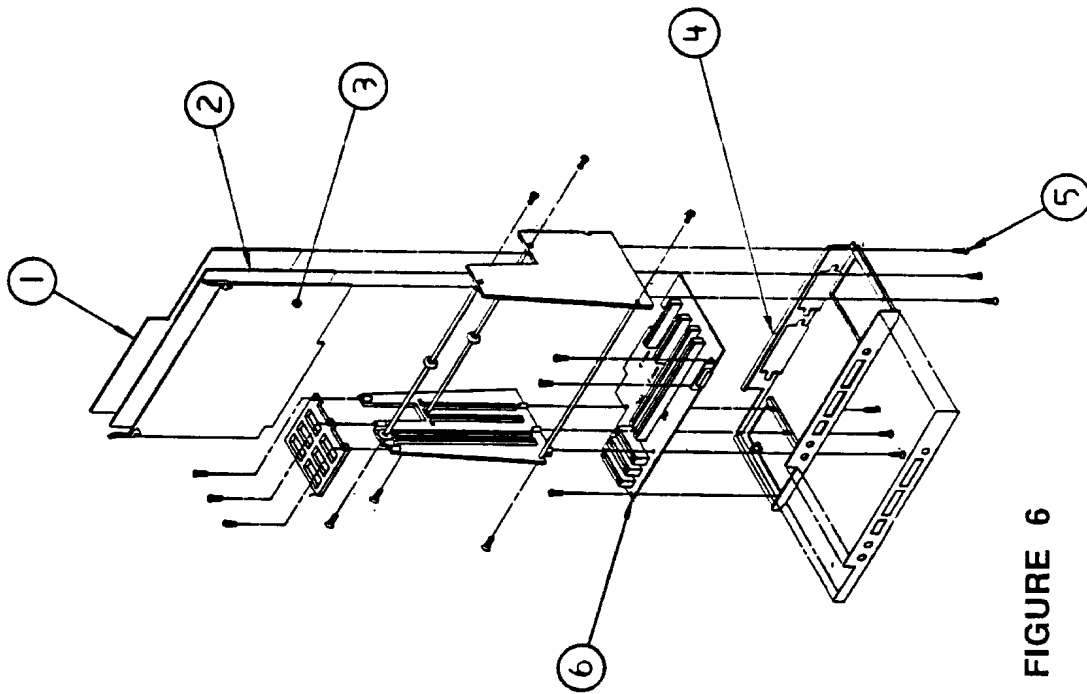


FIGURE 6

LISA 1.0 CARD CAGE (Figure 6)

Item	Part No.	Description
1	661-93105	Lisa/Macintosh XL Memory Board
2	661-93103	Lisa/Macintosh XL CPU Card
3	661-93104	Lisa 1.0 I/O Board
4	805-4046	Lisa 1.0/2.0 Card Cage Chassis
5	400-1405	Card Cage Screw, 4-40 x 5/16
6	661-93106	Lisa 1.0/2.0 Motherboard

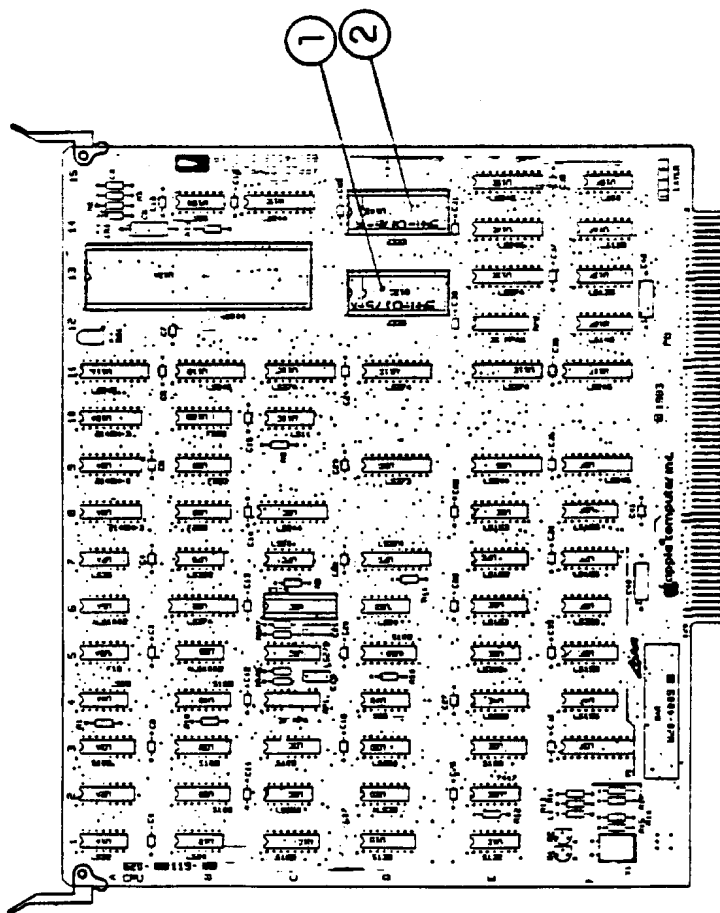


FIGURE 7

**LISA CPU BOARD (Figure 7)**

Item	Part No.	Description
1	341-0175	Boot ROM, High 64K
2	341-0176	Boot ROM, Low 64K

**LISA I/O BOARD (Figure 8)**

Item	Part No.	Description
1	341-0138	Disk Controller ROM

**Lisa 2 Technical Procedures****Section 2****Illustrated Parts List**

The figures and lists below include all piece parts that can be purchased separately from Apple for the Lisa 2, along with their part numbers. These are the only parts available from Apple. Refer to your Apple Service Programs manual for prices.

Contents:

Front Bezel.....	2.1
Top Assembly.....	2.3
Chassis 4.....	2.5
Video Assembly.....	2.7
Chassis 2.....	2.9
Chassis 1.....	2.11
Disk Drive Assembly.....	2.13
Card Cage.....	2.15
CPU Board.....	2.17
I/O Board.....	2.19

DRAWING NUMBER
070-0200-A

REV 1/11

APPD

REVISION

INITIAL RELEASE

REV ZONE	A	ECU #	S493	REV	1
----------	---	-------	------	-----	---

NOTE: UNLESS OTHERWISE SPECIFIED

1 MANUAL REFERENCE : 072-0085

Figure 1

METRIC	FORM AND STYLE AS SHOWN	SERV	N/A	REV	1/11
--------	-------------------------	------	-----	-----	------

apple computer inc.

NOTICE OF PROPRIETARY PROPERTY

THIS DRAWING IS THE PROPERTY OF APPLE COMPUTER, INC. AND IS TO BE KEPT CONFIDENTIAL. IT IS TO BE USED ONLY FOR THE PURPOSES SPECIFIED HEREIN. IT IS TO BE DESTROYED OR RECYCLED UPON THE REQUEST OF APPLE COMPUTER, INC.

ILLUSTRATED PARTS LIST

LISA 2 / MAC XL

REV B 070-0200-A

**LISA 2 FRONT BEZEL (Figure 1)**

Item	Part No.	Description
1	620-5136	Lisa 2.0/Macintosh XL Bezel
Subassembly		
2	815-4120	Lens, Bezel LED

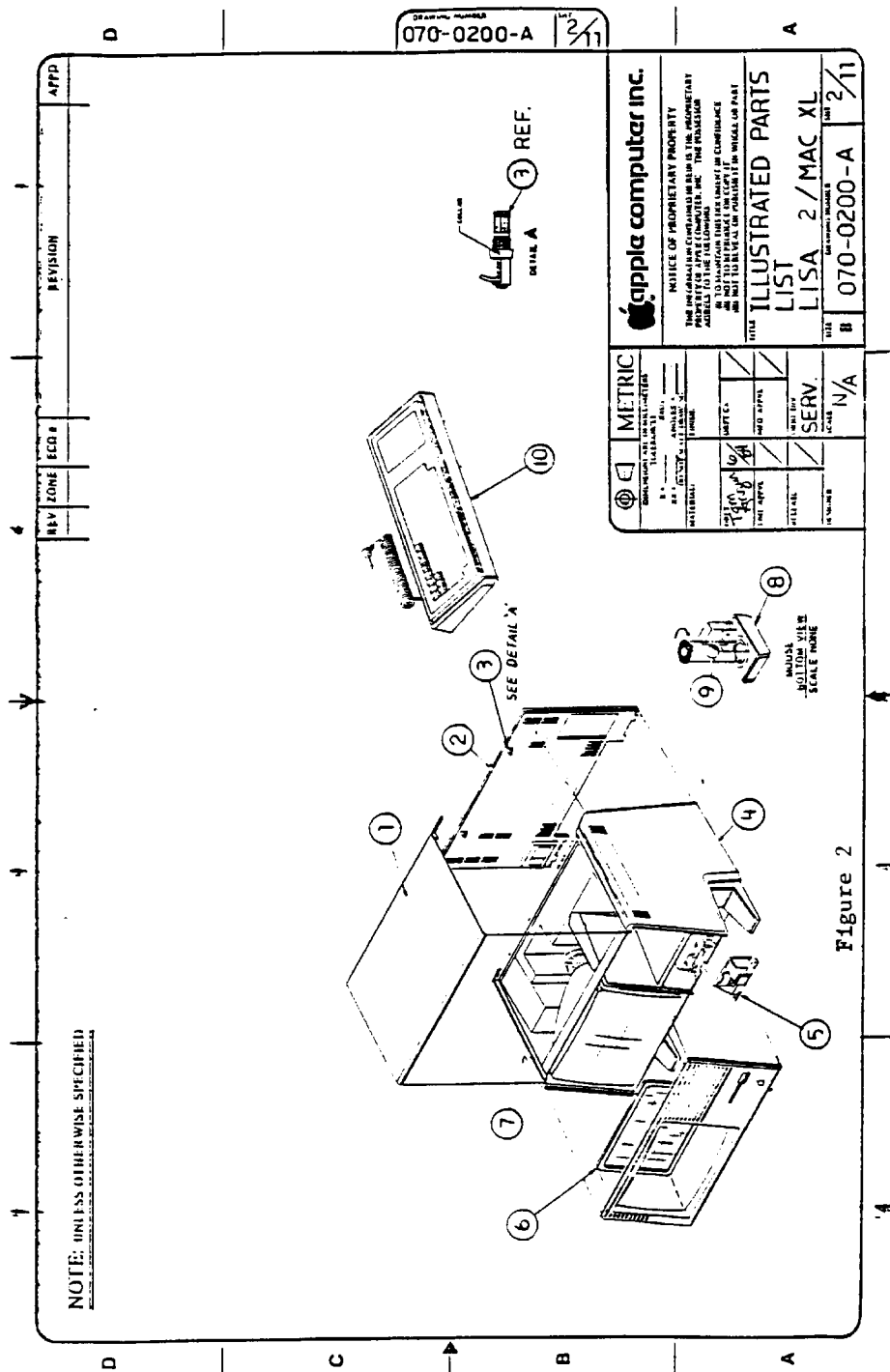


Figure 2

**LISA 2 TOP ASSEMBLY (Figure 2)**

Item	Part No.	Description
1	815-4075	Top Cover Plastic
2	620-5105	SubAssembly, Back Lisa
3	830-0051	Fastener, 1/4 Turn
4	815-4073	Right Side Plastic
5	076-0104	Lisa/Macintosh XL Soft Switch Assembly
6	620-6112	Glare Screen Assembly
7	815-4074	Left Side Plastic
8	661-93111	Lisa 1.0/2.0 Mouse
9	699-8001	Rubber Coated Mouse Ball
10	661-93109	Lisa/Macintosh XL Keyboard

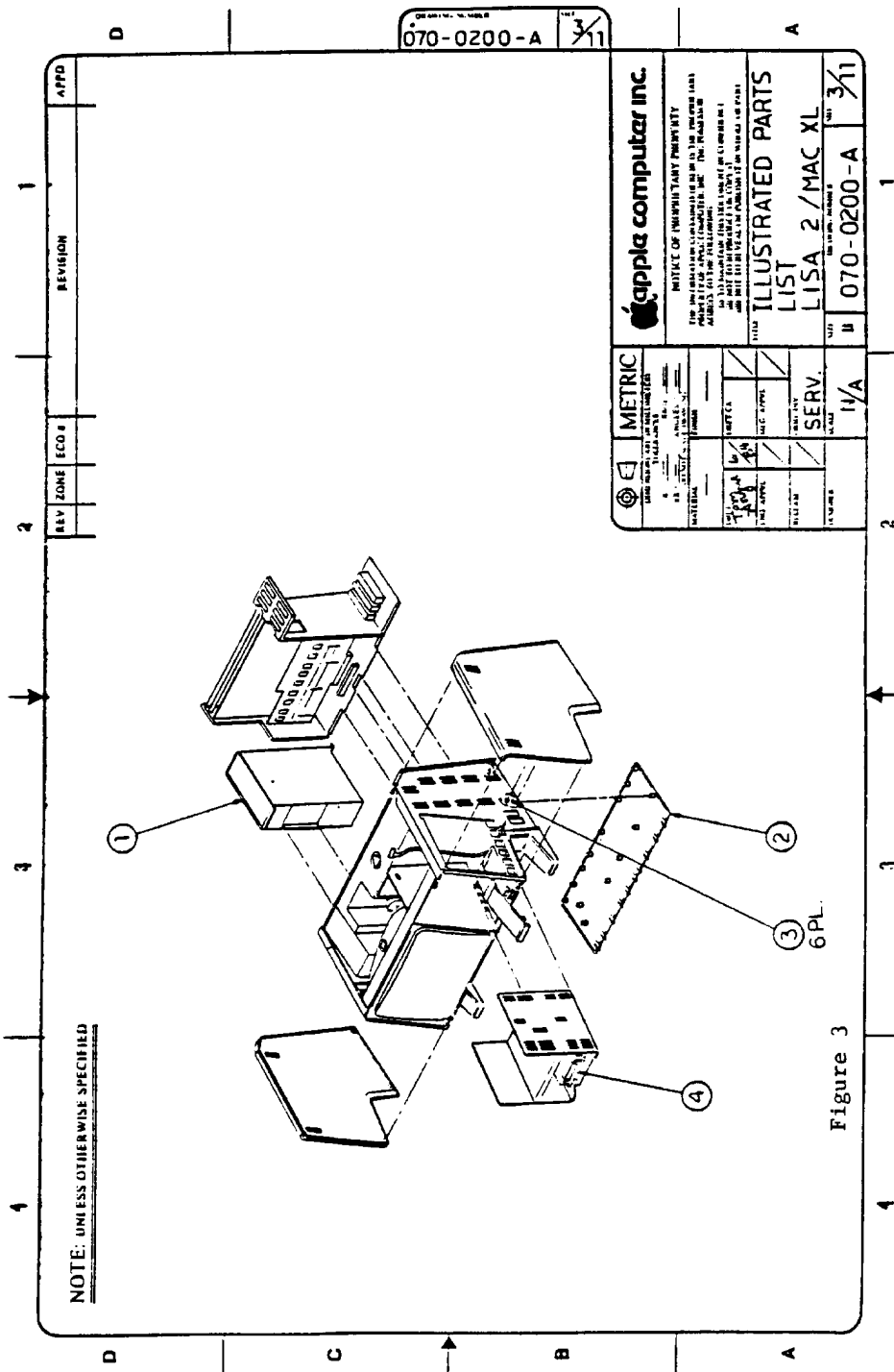


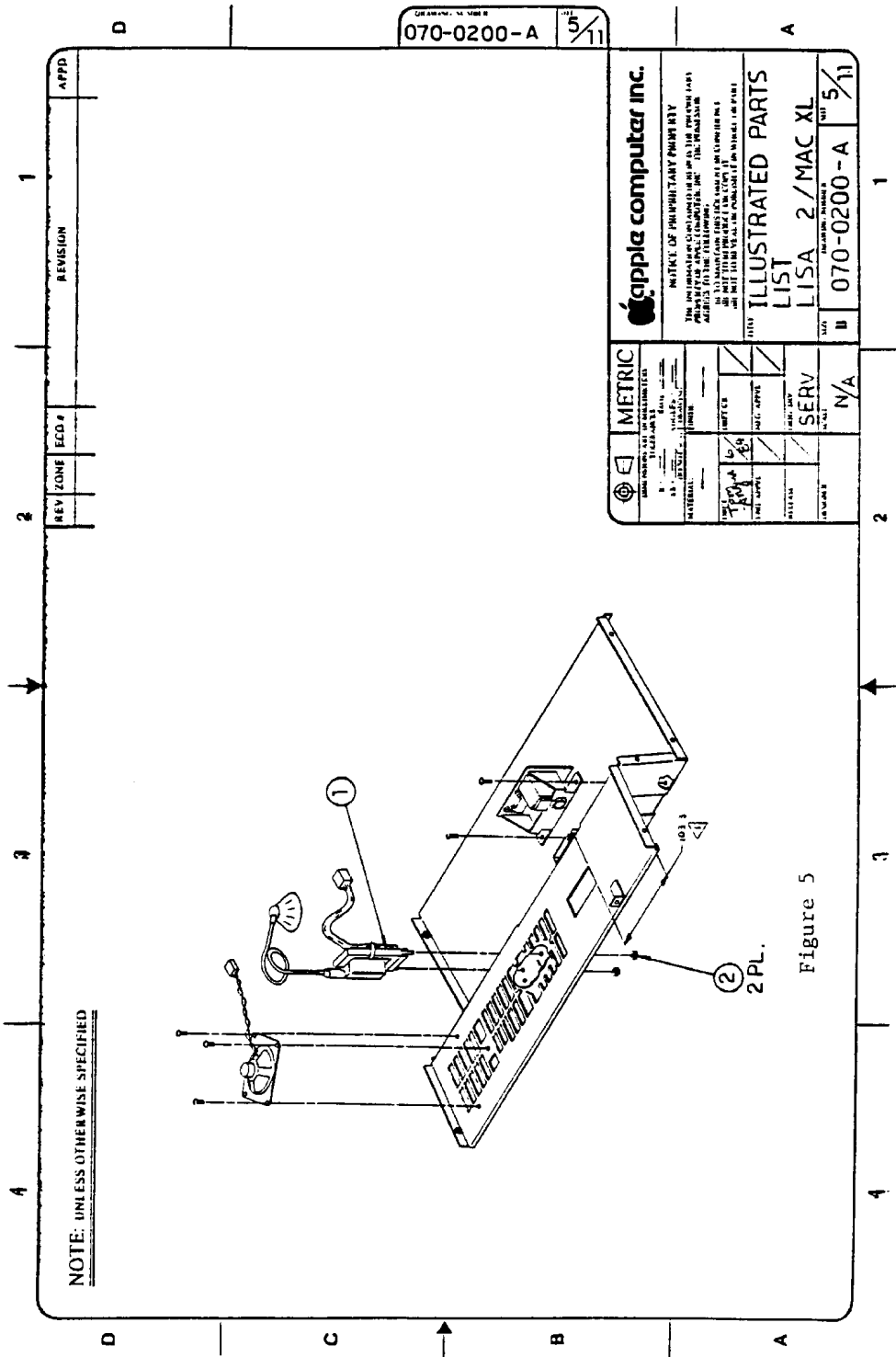
Figure 3

**LISA 2 CHASSIS 4 (Figure 3)**

Item	Part No.	Description
1	661-93108	Lisa 1.0/2.0 Power Supply
2	815-4090	Bottom Pan
3	430-3001	Screw Tap 6-20x0.375, Bottom Pan
4	661-76156	Micro Disk Mech Assembly

**LISA 2 VIDEO ASSEMBLY (Figure 4)**

Item	Part No.	Description
1	400-1603	Video Board Screw, 6-32x3/16
2	661-93107	Lisa/Macintosh XL Video Board
3	825-4002	Label, Danger
4	159-0015	Magnet, Yoke, Trim
	159-0020	Magnet, Yoke, Yellow
	159-0021	Magnet, Yoke, Red
	159-0022	Magnet, Yoke, Green
	159-0023	Magnet, Yoke, Blue
5	450-0020	Serrated Washer CRT 8-32x0.375
6	076-0105	Lisa/Macintosh XL CRT Yoke Assembly
7	699-0346	Transformer



NOTE: UNLESS OTHERWISE SPECIFIED

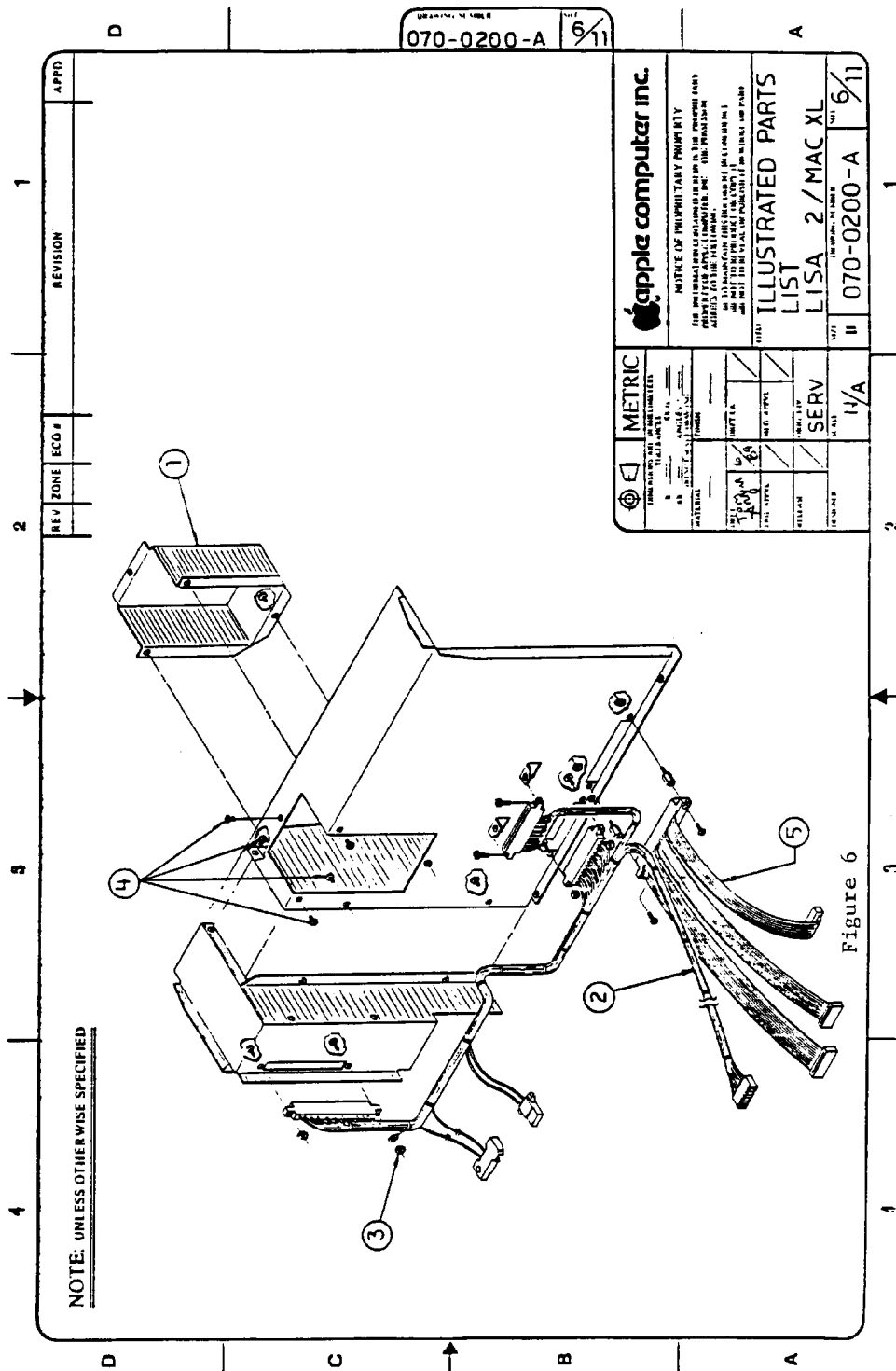
070-0200-A 5/11

METRIC ALL DIMENSIONS ARE IN MILLIMETERS UNLESS OTHERWISE SPECIFIED. 1. - ALL DIMENSIONS ARE IN MILLIMETERS UNLESS OTHERWISE SPECIFIED. 2. - ALL DIMENSIONS ARE IN MILLIMETERS UNLESS OTHERWISE SPECIFIED. 3. - ALL DIMENSIONS ARE IN MILLIMETERS UNLESS OTHERWISE SPECIFIED. 4. - ALL DIMENSIONS ARE IN MILLIMETERS UNLESS OTHERWISE SPECIFIED.		apple computer inc. METRIC OF PROPRIETARY PROPERTY THIS INFORMATION IS UNCLASSIFIED IN ACCORDANCE WITH THE EXECUTIVE ORDER PROHIBITING APPLICABLE COMPUTER, INC. THE PROHIBITION APPLICABLE TO INFORMATION FROM THE PROHIBITION IN THE INFORMATION FROM THE PROHIBITION IN THE INFORMATION FROM THE PROHIBITION
ILLUSTRATED PARTS LIST LISA 2 / MAC XL PART NUMBER 070-0200-A REV 5/11		070-0200-A 5/11

Figure 5

**LISA 2 CHASSIS 2 (Figure 5)**

Item	Part No.	Description
1	076-0106	Lisa/Macintosh XL Flyback Transformer
2	835-0181	Nut/Washer Assembly M3 0.5, Lisa/Macintosh XL Flyback



NOTE: UNLESS OTHERWISE SPECIFIED

DRAWING NUMBER 070-0200-A 9/11

METRIC DIMENSIONS IN MILLIMETERS UNLESS OTHERWISE SPECIFIED			
NOTICE OF PROPRIETARY PROPERTY THE INFORMATION CONTAINED HEREIN IS THE PROPERTY OF APPLE COMPUTER, INC. AND IS TO BE USED ONLY FOR THE PURPOSES OF IDENTIFYING THE PARTS AND MATERIALS LISTED THEREIN. IT IS NOT TO BE REPRODUCED, COPIED, OR TRANSMITTED IN ANY FORM OR BY ANY MEANS, ELECTRONIC OR MECHANICAL, INCLUDING PHOTOCOPYING, RECORDING, OR BY ANY INFORMATION STORAGE AND RETRIEVAL SYSTEM, WITHOUT THE EXPRESS WRITTEN PERMISSION OF APPLE COMPUTER, INC.		ILLUSTRATED PARTS LIST LISA 2 / MAC XL DRAWING NUMBER 070-0200-A 9/11	
PARTS LIST QTY. REQ'D PART NUMBER DESCRIPTION UNIT PRICE TOTAL PRICE	QTY. REQ'D PART NUMBER DESCRIPTION UNIT PRICE TOTAL PRICE	QTY. REQ'D PART NUMBER DESCRIPTION UNIT PRICE TOTAL PRICE	QTY. REQ'D PART NUMBER DESCRIPTION UNIT PRICE TOTAL PRICE
1	070-0200-A	1	1

Figure 6

**LISA 2 CHASSIS 1 (Figure 6)**

Item	Part No.	Description
1	805-4008	CRT Cup
2	591-0020	Power Cable, 2.0/Macintosh XL
3	835-0159	Nut, Washer Assembly Card Cage Chamber
4	400-1603	Video Board Screw, 6-32x3/16
5	591-0002	Drive Cable, 1.0/2.0

LISA 2 DISK DRIVE ASSEMBLY (Figure 7)

Item	Part No.	Description
1	860-0210	Micro Disk Adapter Standoff
2	661-93194	Drive Adapter Card
3	860-0251	Washer, Internal Tooth #6
4	835-0116	Nut, Hex Size 6, Microdisk Adapter PCB
5	590-0086	Micro Disk Adapter Cable
6	805-4052	Micro Disk Drive Carrier
7	860-0009	Micro Disk Drive Standoff
8	● 410-1306	Micro Disk Drive Screw M3x0.5x6mm
9	661-76156	Micro Disk Mechanical Assembly
10	400-3604	Disk Drive Screw, 6-32x1/4

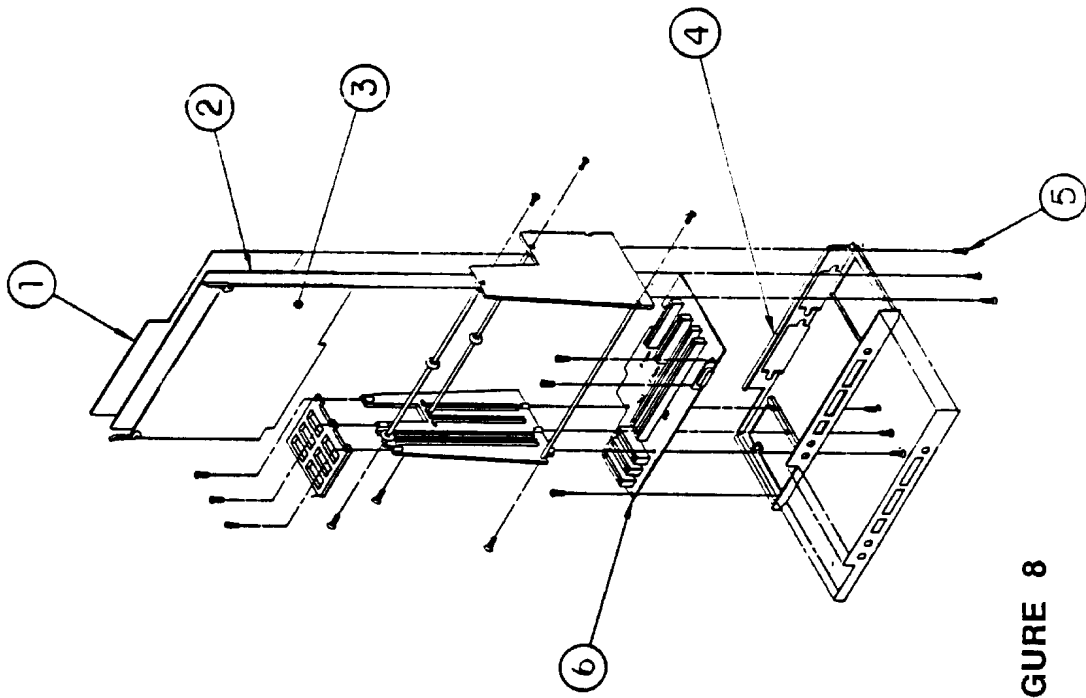


FIGURE 8

LISA 2 CARD CAGE (Figure 8)

Item	Part No.	Description
1	661-93105	Lisa/Macintosh XL Memory Board
2	661-93103	Lisa/Macintosh XL CPU Card
3	661-93198	Lisa 2.0 I/O Board
4	805-4046	Lisa 1.0/2.0 Card Cage Chassis
5	400-1405	Card Cage Screw, 4-40 x 5/16
6	661-93106	Lisa 1.0/2.0 Motherboard

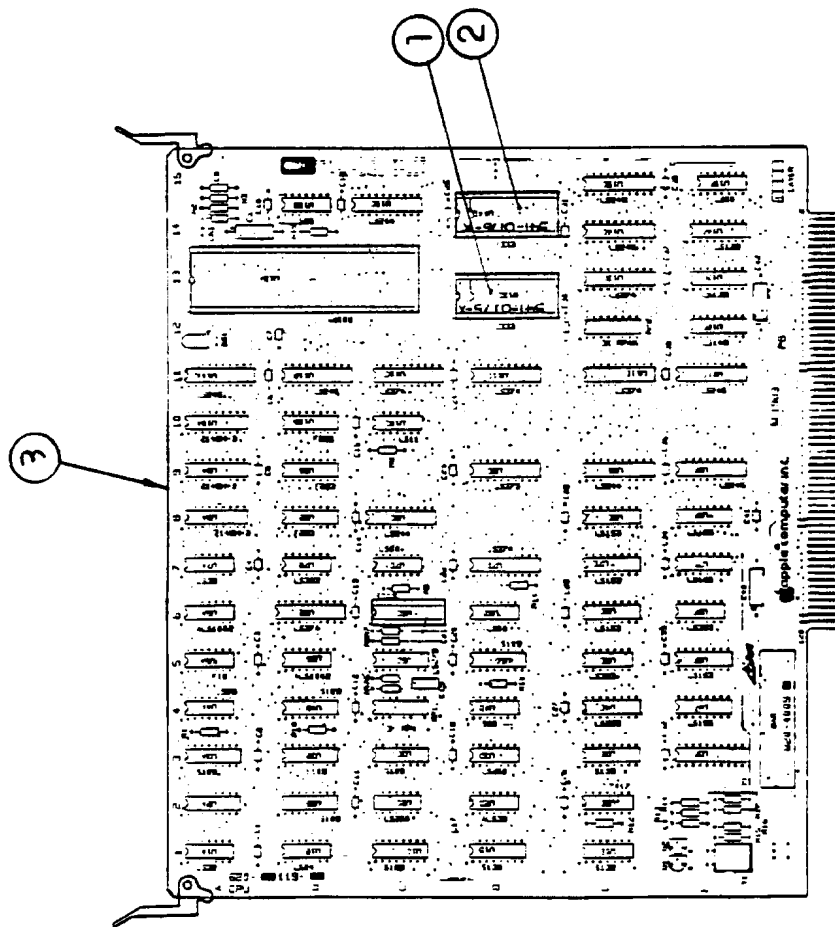
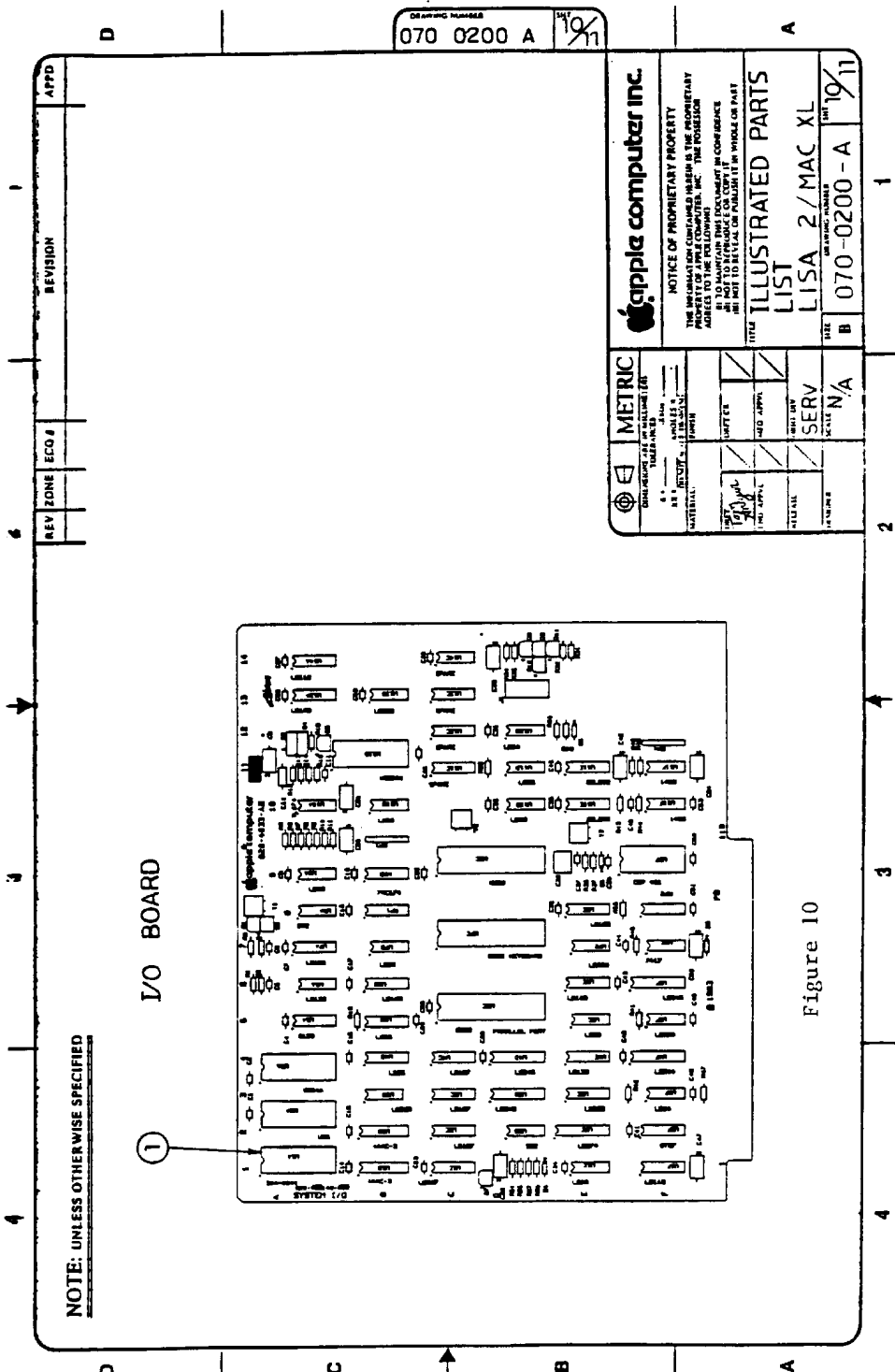


FIGURE 9

**LISA/MACINTOSH XL CPU BOARD (Figure 9)**

Item	Part No.	Description
1	341-0175	Boot ROM, High 64K
2	341-0176	Boot ROM, Low 64K
3	661-93103	Lisa/Macintosh XL CPU Card



NOTE: UNLESS OTHERWISE SPECIFIED

I/O BOARD

Figure 10

**LISA 2 I/O BOARD (Figure 10)**

Item	Part No.	Description
1	341-0290	Disk Controller ROM, Lisa 2

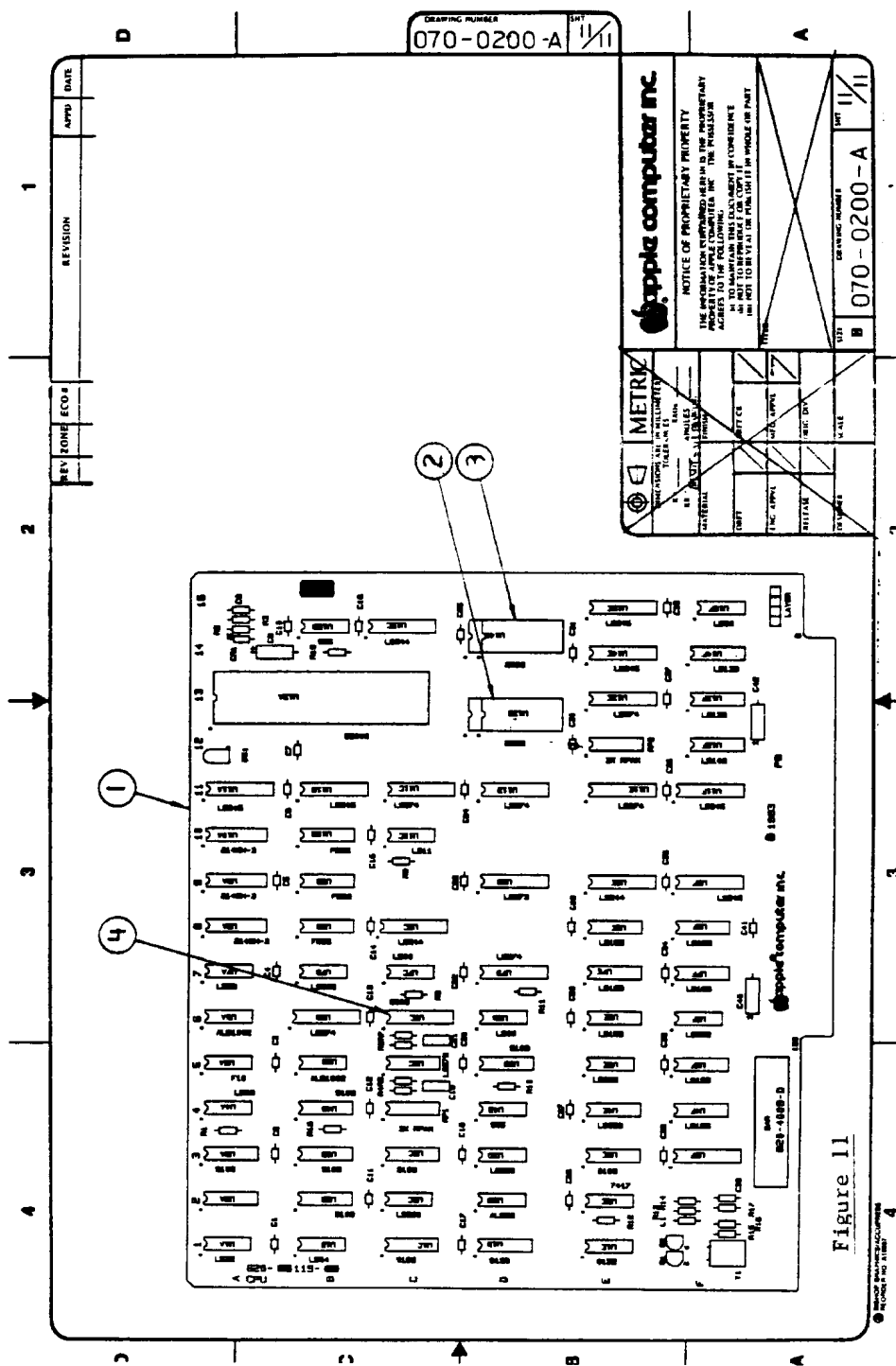


Figure 11

**LISA 2 - MODIFIED CPU CARD (Figure 11)**

Item	Part No.	Description
1	661-0298	Macintosh XL Modified CPU Card
2	341-0347	Boot ROM, High
3	341-0346	Boot ROM, Low
4	341-0348	Video ROM

**Macintosh XL Technical Procedures****Section 3****Illustrated Parts List**

The figures and lists below include all piece parts that can be purchased separately from Apple for the Macintosh XL, along with their part numbers. These are the only parts available from Apple. Refer to your Apple Service Programs manual for prices.

Contents:

Front Bezel.....	3.1
Top Assembly.....	3.3
Chassis 4.....	3.5
Video Assembly.....	3.7
Chassis 2.....	3.9
Chassis 1.....	3.11
Disk Drive Assembly.....	3.13
Card Cage.....	3.15
CPU Board.....	3.17
I/O Board.....	3.19

REV	ECO #	REVISION	APFD	DRAWING NUMBER	SHEET
A	5493	INITIAL RELEASE		070-0201-A	1/11

NOTE: UNLESS OTHERWISE SPECIFIED

1). MANUAL REFERENCE : 072-0085

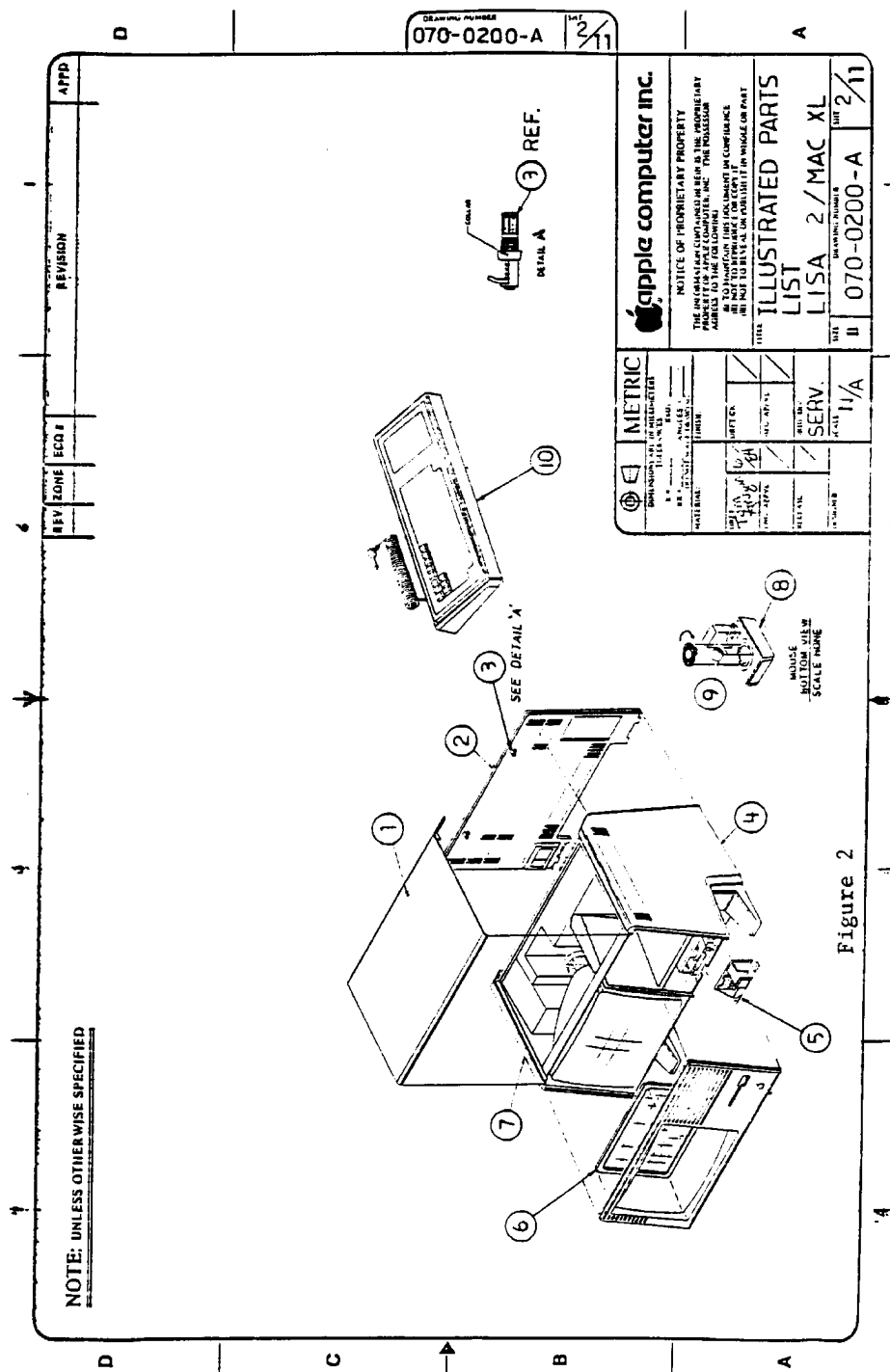
Figure 1

METRIC	APPROXIMATE	MATERIAL	PARTIAL	SERV	N/A
1	1	1	1	1	1

apple computer inc.	NOTICE OF PROPRIETARY PROPERTY	TITLE	SHEET
	THE INFORMATION CONTAINED HEREIN IS THE PROPRIETARY PROPERTY OF APPLE COMPUTER INC. THE PROVISIONS OF THIS DRAWING ARE VALID ONLY FOR THE PARTS LISTED HEREIN AND ARE NOT TO BE REPRODUCED OR TRANSMITTED IN ANY FORM OR BY ANY MEANS, ELECTRONIC OR MECHANICAL, INCLUDING PHOTOCOPYING, RECORDING, OR BY ANY INFORMATION STORAGE AND RETRIEVAL SYSTEM.	ILLUSTRATED PARTS LIST LISA 2/10/MAC.XL	1/11
		DRAWING NUMBER	SHEET
		070-0201-A	1/11

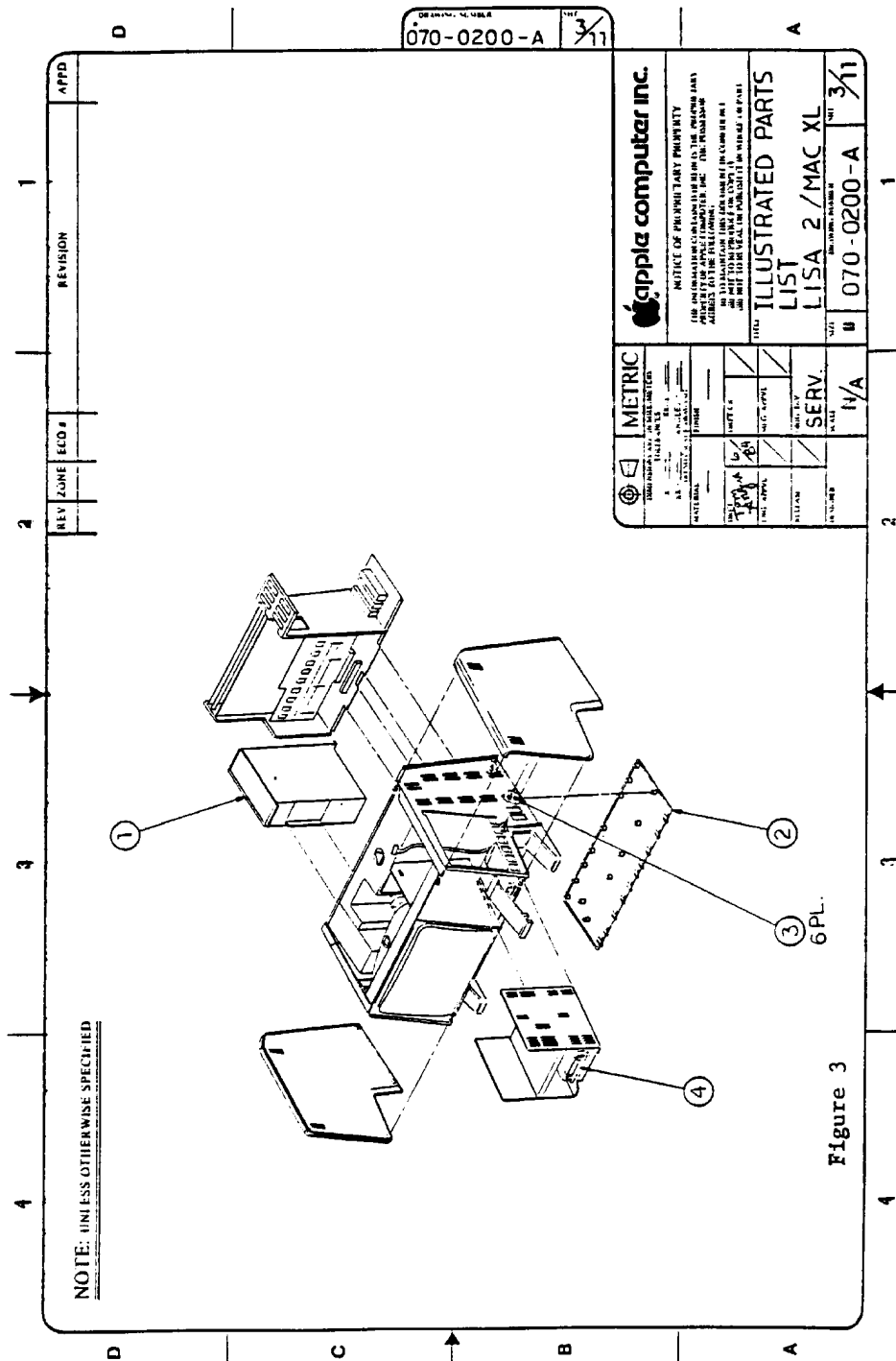
**MACINTOSH XL FRONT BEZEL (Figure 1)**

Item	Part No.	Description
1	620-5136	Lisa 2.0/Macintosh XL Bezel Subassembly
2	815-4120	Lens, Bezel LED



**MACINTOSH XL TOP ASSEMBLY (Figure 2)**

Item	Part No.	Description
1	815-4075	Top Cover Plastic
2	620-5105	SubAssembly, Back
3	830-0051	Fastener, 1/4 Turn
4	815-4073	Right Side Plastic
5	076-0104	Lisa/Macintosh XL Softswitch Assembly
6	620-6112	Glare Screen Assembly
7	815-4074	Left Side Plastic
8	661-96155	Macintosh Mouse
9	699-8001	Rubber Coated Mouse Ball
10	661-93109	Lisa/Macintosh XL Keyboard

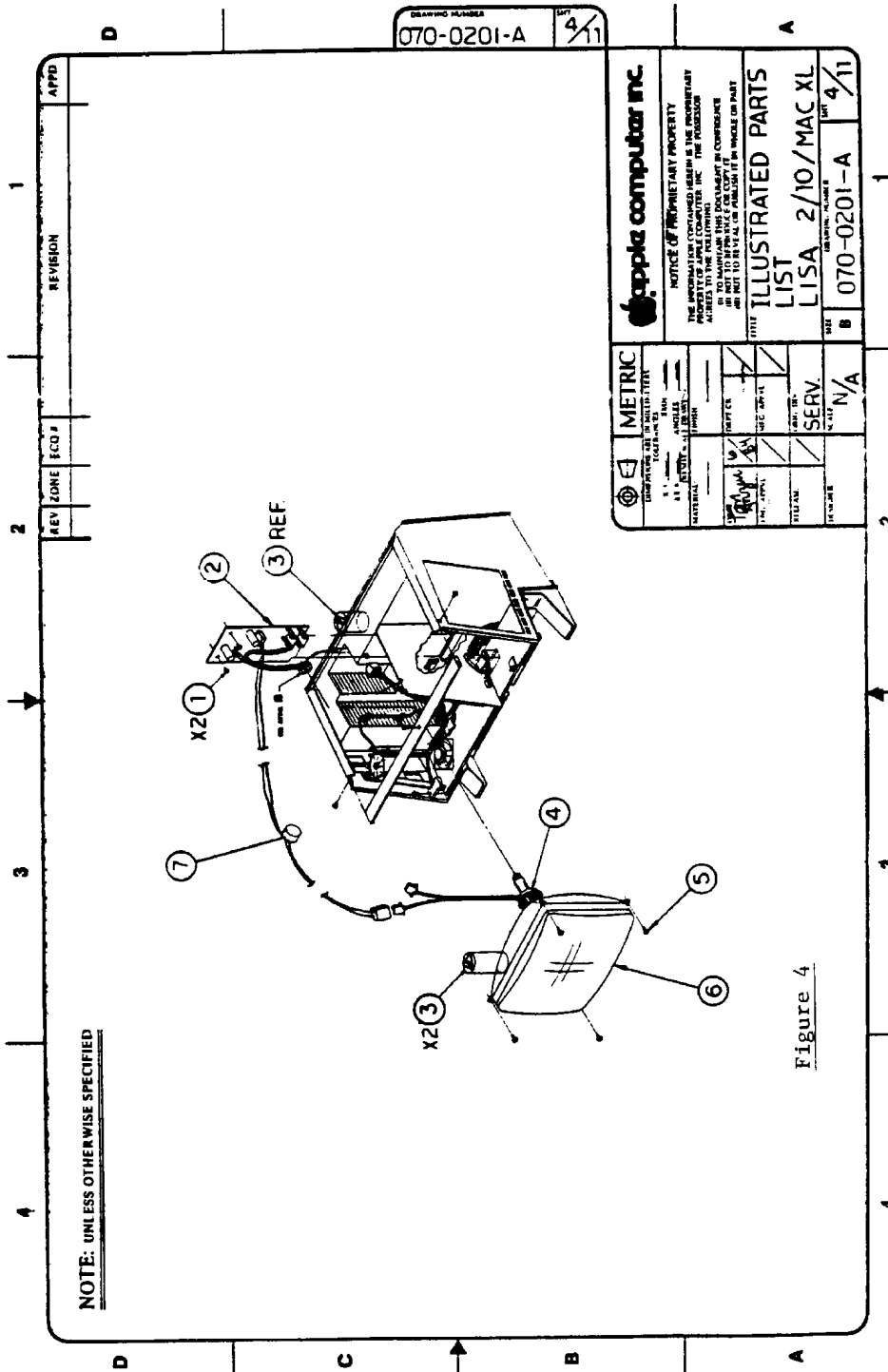


070-0200-A 3/11

		NOTICE OF PROPRIETARY PROPERTY THE INFORMATION CONTAINED HEREIN IS THE PROPERTY OF APPLE COMPUTER, INC. THIS INFORMATION IS UNCLASSIFIED EXCEPT WHERE SHOWN OTHERWISE. THIS INFORMATION IS UNCLASSIFIED EXCEPT WHERE SHOWN OTHERWISE. THIS INFORMATION IS UNCLASSIFIED EXCEPT WHERE SHOWN OTHERWISE.	
METRIC THIS DRAWING IS UNCLASSIFIED DATE: 11/11/85 BY: [signature] AUTHORITY: [signature]		ILLUSTRATED PARTS LIST LISA 2 / MAC XL PART NUMBER: 070-0200-A REV: 3/11	
PARTS 1000-0000 1000-0000 1000-0000	PARTS 1000-0000 1000-0000 1000-0000	SERVICING N/A	SERVICING N/A

**MACINTOSH XL CHASSIS 4 (Figure 3)**

Item	Part No.	Description
1	661-73172	Macintosh XL Power Supply
2	815-4090	Bottom Pan
3	430-3001	Screw Tap 6-20x0.375, Bottom Pan
4	661-76156	Micro Disk Mech Assembly
5	661-93176	Macintosh XL Hard Disk Assembly

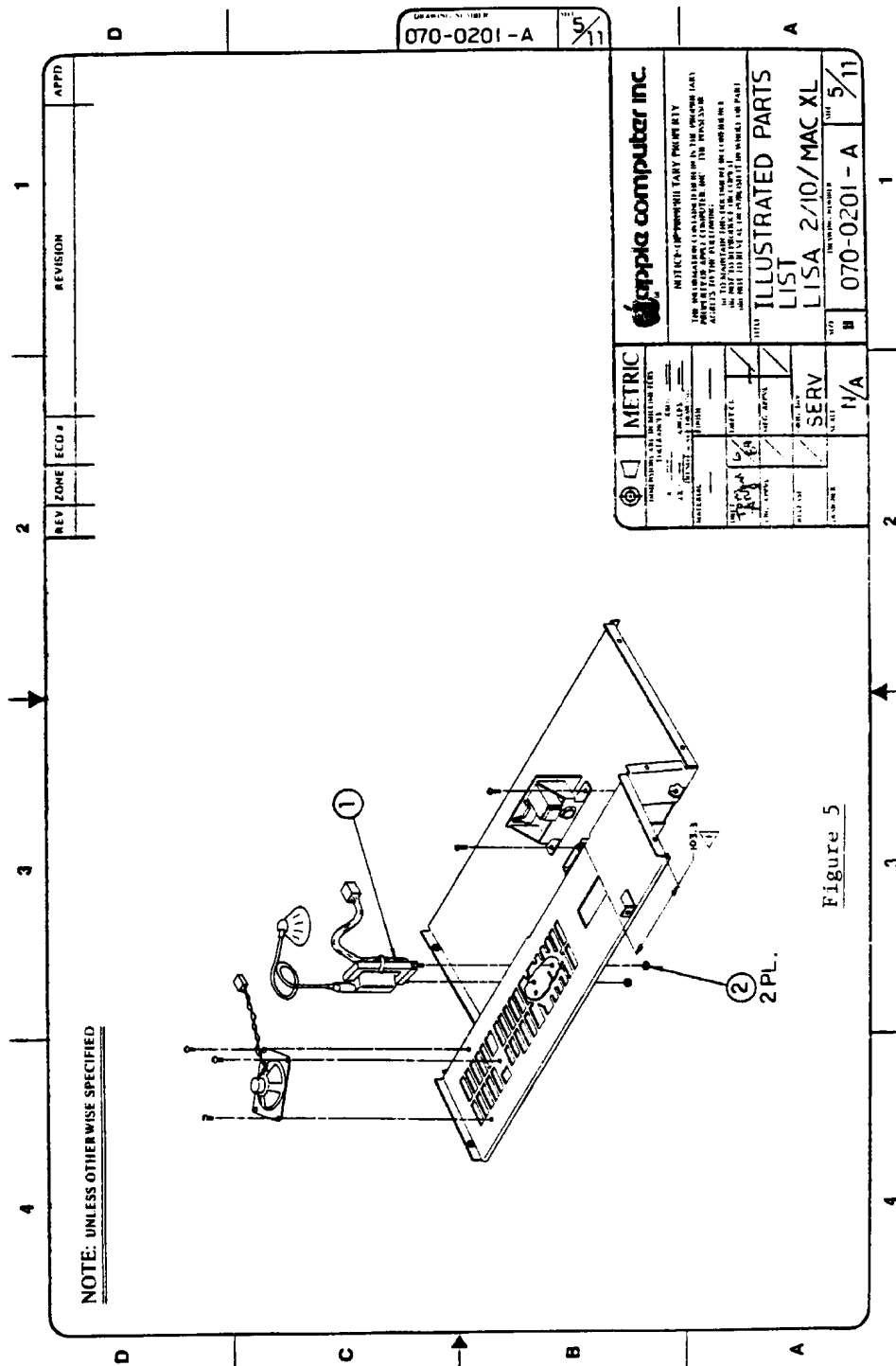


DRAWING NUMBER 070-0201-A 4/11

apple computer inc.	
NOTICE OF PROPRIETARY PROPERTY THE INFORMATION CONTAINED HEREIN IS THE PROPRIETARY PROPERTY OF APPLE COMPUTER, INC. THE FURNISHING OF THIS INFORMATION IS FOR YOUR INFORMATION ONLY AND IS NOT TO BE REPRODUCED OR TRANSMITTED IN ANY FORM OR BY ANY MEANS, ELECTRONIC OR MECHANICAL, INCLUDING PHOTOCOPYING, RECORDING, OR BY ANY INFORMATION STORAGE AND RETRIEVAL SYSTEM.	
TITLE ILLUSTRATED PARTS LIST LISA 2/10/MAC XL	
DATE 8/11	REVISION NUMBER 070-0201-A 4/11
METRIC	UNITS: MILLIMETER
DESIGNER	DATE
CHECKED	DATE
APPROVED	DATE
MATERIAL	FINISH
DRYER	TEMP.
TEST	DATE
TEL. NO.	LOC. NO.
SERV.	SCALE
N/A	

**MACINTOSH XL VIDEO ASSEMBLY (Figure 4)**

Item	Part No.	Description
1	400-1603	Video Board Screw, 6-32x3/16
2	661-93107	Lisa/Macintosh XL Video Board
3	825-4002	Label, Danger
4	159-0015	Magnet, Yoke, Trim
	159-0020	Magnet, Yoke, Yellow
	159-0021	Magnet, Yoke, Red
	159-0022	Magnet, Yoke, Green
	159-0023	Magnet, Yoke, Blue
5	450-0020	Serrated Washer, CRT 8-32x0.375
6	076-0105	Lisa/Macintosh XL CRT Yoke Assembly
7	699-0346	Transformer



apple computer inc.	
NOTICE: APPROVED FOR SALE PROPERTY	
100 MILLIKEN BLVD. (COURT) 11000 IN. IN THE AMERICAN JURY	
PROPERTY OF APPLE COMPUTER INC. THE PROPERTY	
APPLIED TO THE PROPERTY OF THE COMPANY	
DO NOT REPRODUCE OR TRANSMIT IN ANY MANNER	
WITHOUT THE WRITTEN PERMISSION OF APPLE COMPUTER INC.	
ALL RIGHTS RESERVED. © 1985 APPLE COMPUTER INC.	
TITEL ILLUSTRATED PARTS LIST	
LISA 2/10/MAC XL	
REV. ZONE	5/11
REV. ZONE	070-0201 - A
METRIC	
UNIT	
SERV	
UNIT	N/A

Figure 5

**MACINTOSH XL VIDEO ASSEMBLY (Figure 5)**


Item	Part No.	Description
1	076-0106	Lisa/Macintosh XL Flyback Transformer
2	835-0181	Nut/Washer Assembly M3 0.5, Lisa/Macintosh XL Flyback

REV. ZONE	ECO. #	REVISION	APFD	DRAWING NUMBER 070-0201-A	SIZE 6/11
<p style="text-align: center;">NOTE: UNLESS OTHERWISE SPECIFIED</p>				apple computer inc. NOTICE OF PROPRIETARY PROPERTY THE INFORMATION CONTAINED HEREIN IS THE PROPRIETARY PROPERTY OF APPLE COMPUTER, INC. THE PROVISION OF THIS INFORMATION IS LIMITED TO THE PARTS LISTED HEREIN AND IS NOT TO BE REPRODUCED OR TRANSMITTED IN ANY FORM OR BY ANY MEANS, ELECTRONIC OR MECHANICAL, INCLUDING PHOTOCOPYING, RECORDING, OR BY ANY INFORMATION STORAGE AND RETRIEVAL SYSTEM, WITHOUT THE WRITTEN PERMISSION OF APPLE COMPUTER, INC.	
				ILLUSTRATED PARTS LIST LISA 2/10/MAC XL PART NUMBER: 070-0201-A DATE: 6/11	
METRIC DIMENSIONS IN MILLIMETERS ANGLES IN DEGREES UNLESS OTHERWISE SPECIFIED		SERVICING N/A		PARTS LIST LISA 2/10/MAC XL PART NUMBER: 070-0201-A DATE: 6/11	

Figure 6

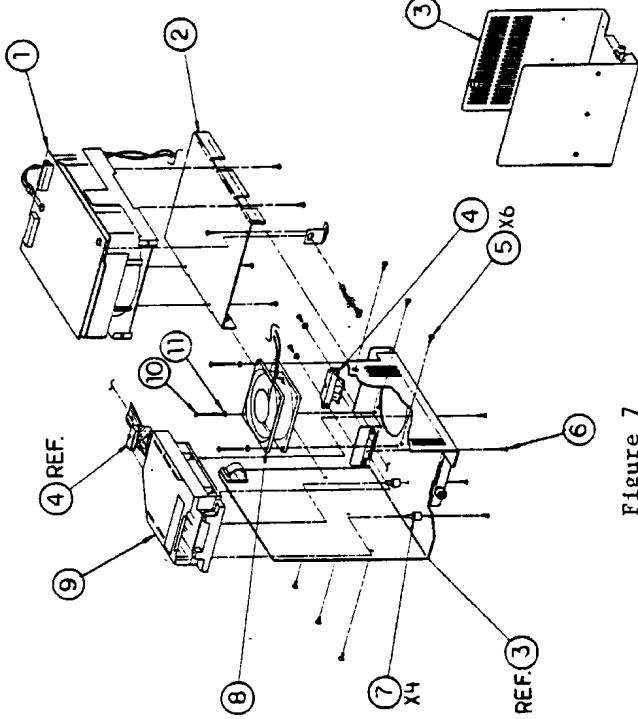
**MACINTOSH XL CHASSIS 1 (Figure 6)**

Item	Part No.	Description
1	805-4008	CRT Cup
2	591-0014	Drive Cable, Macintosh XL
3	591-0020	Power Cable, 2.0/Macintosh XL
4	835-0150	Nut, Washer Assembly Card Cage Chamber
5	400-1603	Video Board Screw, 6-32x3/16

REV ZONE	ECO #	REVISION	APPD	DRAWING NUMBER 070-0201-A	DATE 7/11
				 NOTICE OF PROPRIETARY PROPERTY THE INFORMATION CONTAINED HEREIN IS THE PROPRIETARY PROPERTY OF APPLE COMPUTER, INC. THE POSSESSION OR REPRODUCTION OF THIS DOCUMENT IN ANY MANNER WITHOUT THE EXPRESS WRITTEN PERMISSION OF APPLE COMPUTER, INC. IS PROHIBITED.	
				TITLE ILLUSTRATED PARTS LIST LISA 2/10 / MAC XL	DATE 7/11 DRAWING NUMBER 070-0201-A
				METRIC DIMENSIONS IN MILLIMETERS () DIMENSIONS IN INCHES () METRIC IS THE PREFERRED UNIT	SERVO N/A SCALE N/A

NOTE: UNLESS OTHERWISE SPECIFIED

Figure 7



**MACINTOSH XL DISK DRIVE ASSEMBLY (Figure 7)**

Item	Part No.	Description
1	661-93176	Macintosh XL Hard Disk Assembly
2	805-4054	Micro Disk Drive Carrier Shelf
3	805-4052	Micro Disk Drive Carrier
4	591-0017	Micro Disk Extender Cable
5	400-3604	Micro Disk Drive Screw, 6-32 x 1/4
6	410-2306	Micro Disk Carrier Bottom Screw, M3x5x6mm
7	860-0009	Micro Disk Standoff
8	600-0030	Macintosh XL Fan
9	661-76156	Micro Disk Assembly
10	406-1618	Fan Screw 6-32x1
11	860-0251	Fan, Internal Tooth #6

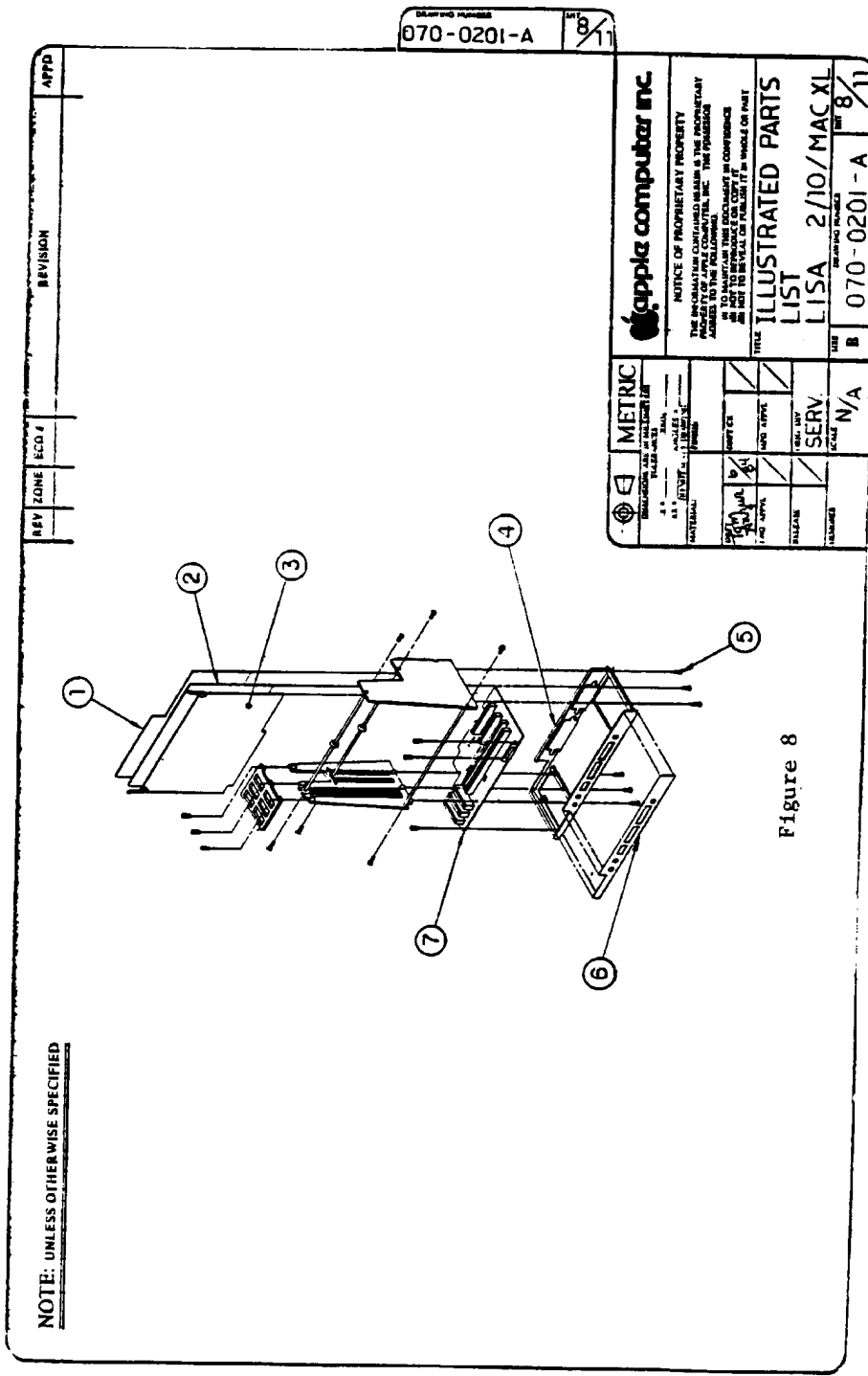
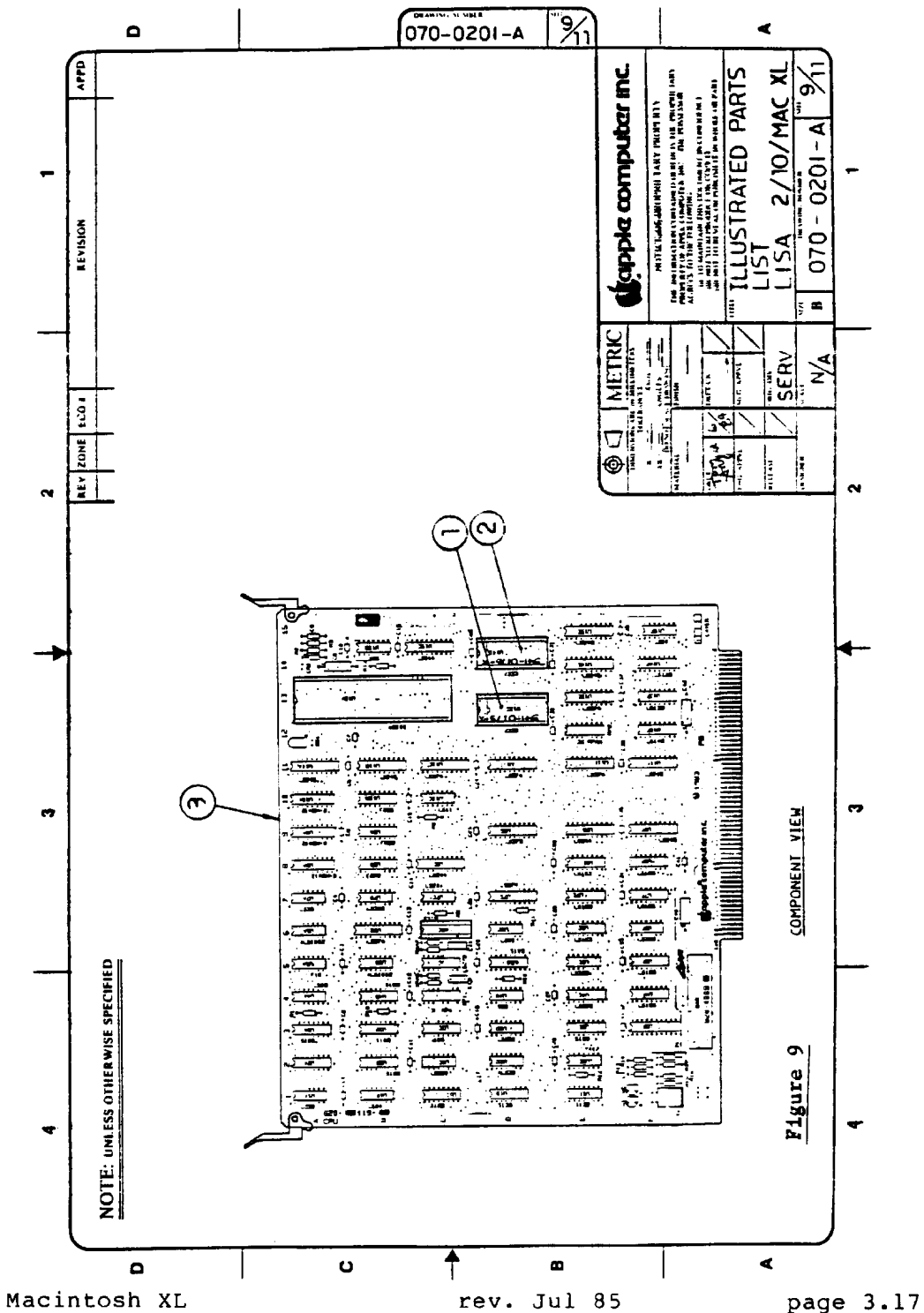


Figure 8

**MACINTOSH XL CARD CAGE (Figure 8)**

Item	Part No.	Description
1	661-93105	Lisa/Macintosh XL Memory Board
2	661-93103	Lisa/Macintosh XL CPU Card
3	661-93171	Macintosh XL I/O Board
4	805-4051	Macintosh XL Card Cage Chassis
5	400-1405	Card Cage Screw, 4-40x5/16
6	825-4052	Label, Connector
7	661-93170	Macintosh XL Motherboard



**LISA/MACINTOSH XL CPU BOARD (Figure 9)**

Item	Part No.	Description
1	341-0175	Boot ROM, High 64K
2	341-0176	Boot ROM, Low 64K
3	661-93103	Lisa/Macintosh XL CPU Board



DRAWING NUMBER
070-0201-A ^{REV} 19

REV ZONE ECO #	REVISION	APPD	

METRIC DIMENSIONS IN MILLIMETERS			

I/O BOARD

NOTE: UNLESS OTHERWISE SPECIFIED

NOTICE OF PROPRIETARY PROPERTY
THE INFORMATION CONTAINED HEREIN IS THE PROPRIETARY AND CONFIDENTIAL INFORMATION OF APPLE COMPUTER, INC. THIS DOCUMENT IS NOT TO BE REPRODUCED OR TRANSMITTED IN ANY FORM OR BY ANY MEANS, ELECTRONIC OR MECHANICAL, INCLUDING PHOTOCOPYING, RECORDING, OR BY ANY INFORMATION STORAGE AND RETRIEVAL SYSTEM, WITHOUT THE EXPRESS WRITTEN PERMISSION OF APPLE COMPUTER, INC. THIS DOCUMENT IS NOT TO BE REVEALED OR PUBLISHED IN WHOLE OR IN PART.

ILLUSTRATED PARTS LIST

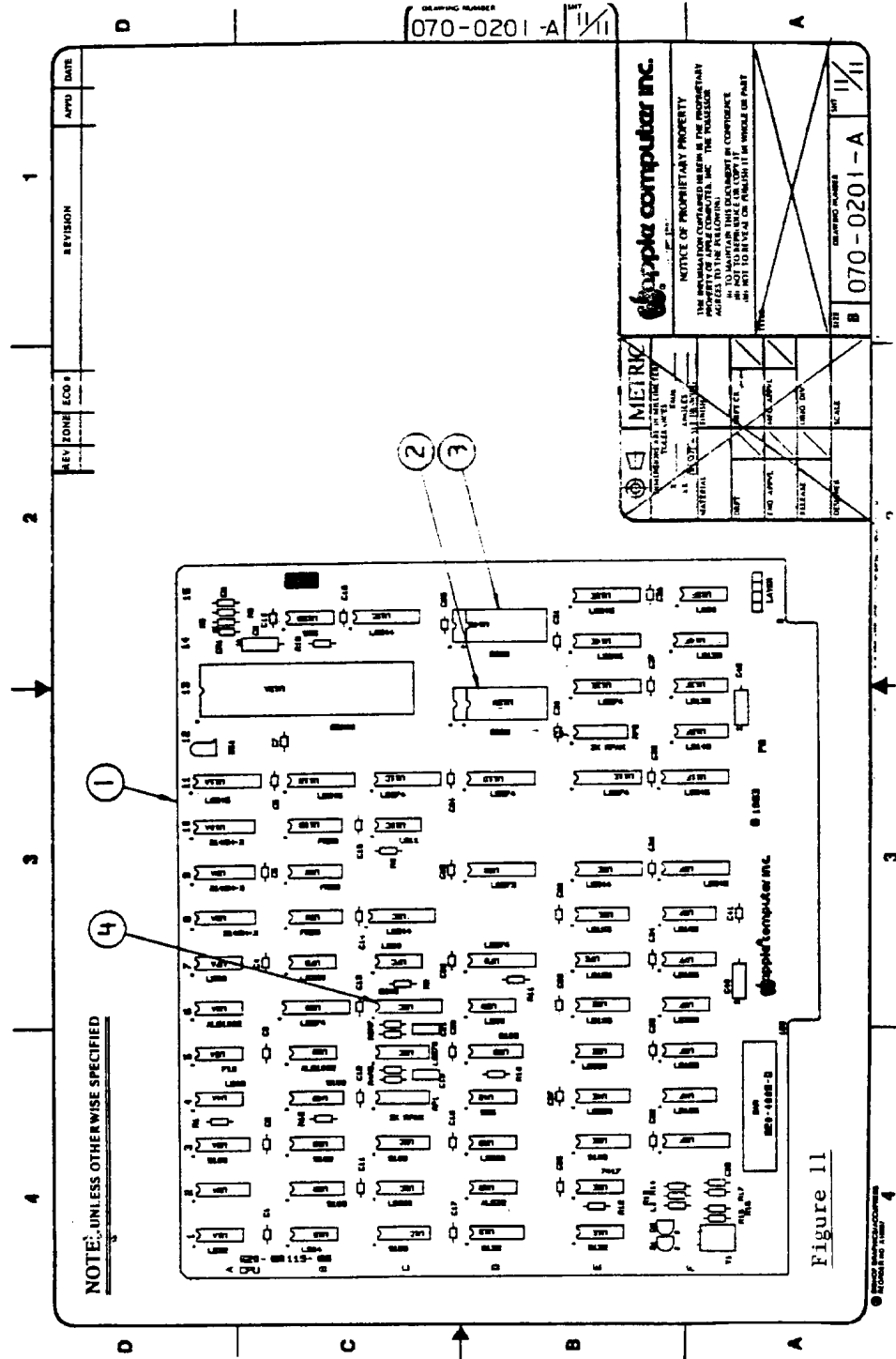
LISA 2/10/ MAC XL

DRAWING NUMBER
070-0201-A ^{REV} 19

Figure 10

**LISA/MACINTOSH XL I/O BOARD (Figure 10)**

Item	Part No.	Description
1	341-0281	Disk Controller ROM, Macintosh XL



Macintosh XL

rev. Jul 85

page 3.21



**LISA/MACINTOSH XL - MODIFIED CPU CARD (Figure 11)**

Item	Part No.	Description
1	661-0298	Macintosh XL Modified CPU Card
2	341-0347	Boot ROM, High
3	341-0346	Boot ROM, Low
4	341-0348	Video ROM

FINIS